



Cover 1:  
Capri Tan

Optional Extra  
Scatter Cushions

Antique Feet

# Beatrix Leather Collection

Colours represented are to be used as a guide only.  
Please refer to manufacturers swatch for a more accurate colour match.

Please note that leather colour shadings can vary slightly from batch to batch.  
We cannot guarantee a precise match to these samples or between cut lengths and upholstered goods.

foamflex™  
Award Winning Seating Technology

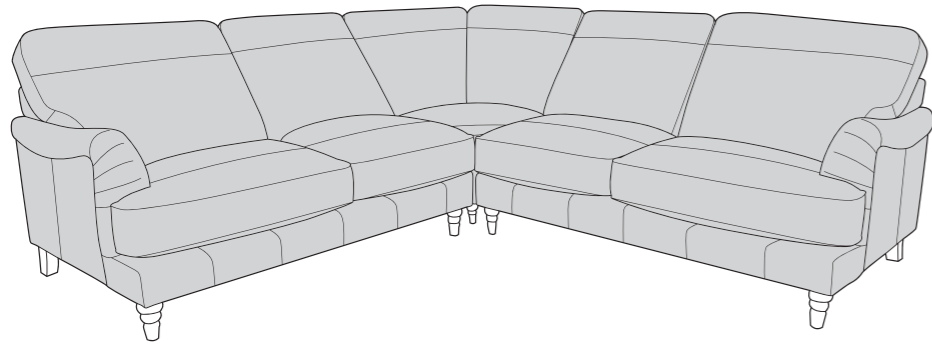
07/03/2023

# BEATRIX LEATHER COVER GUIDE: STANDARD BACK ONLY

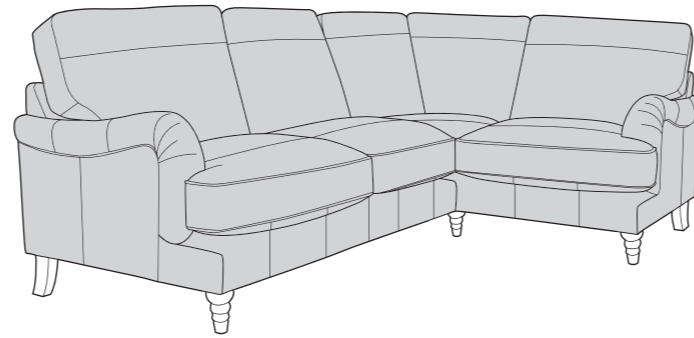
Please use this guide when ordering the following pieces to clarify cover options.



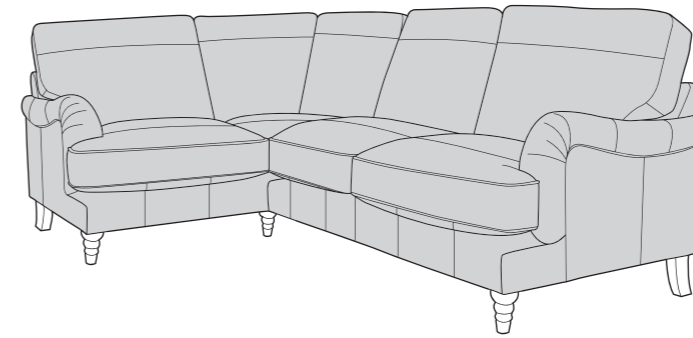
Corner Group: LH2, COR, RH2



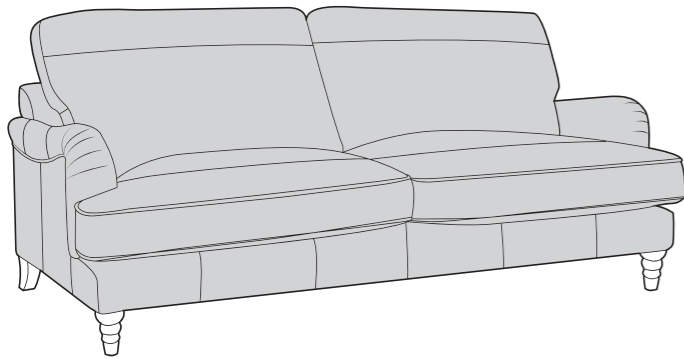
Corner Group: LH2, R2C



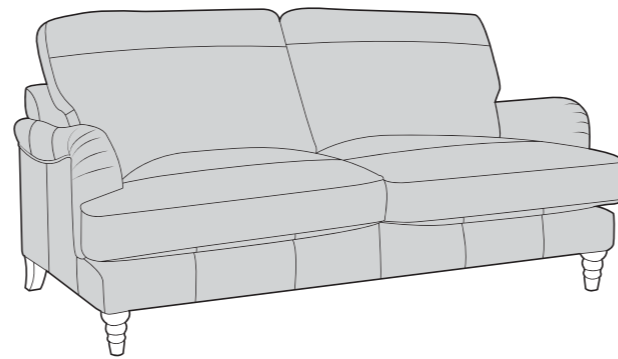
Corner Group: L2C, RH2



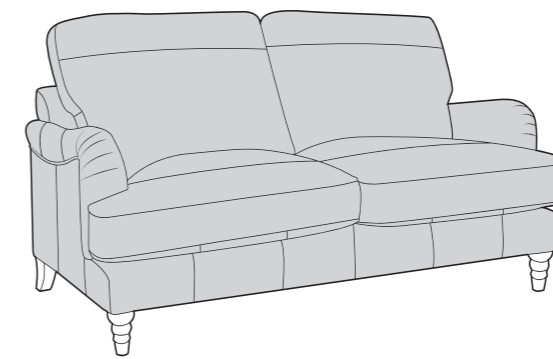
4 Seater Sofa (4ST)



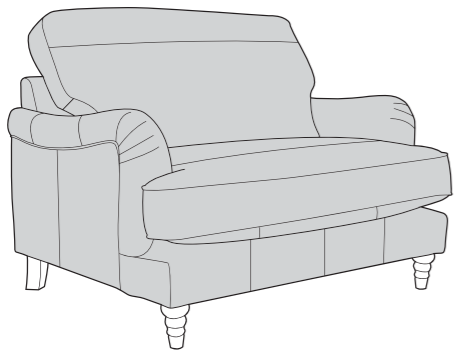
3 Seater Sofa (3ST)



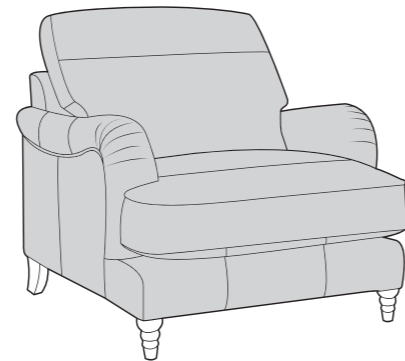
2 Seater Sofa (2ST)



Love Chair (LOV)

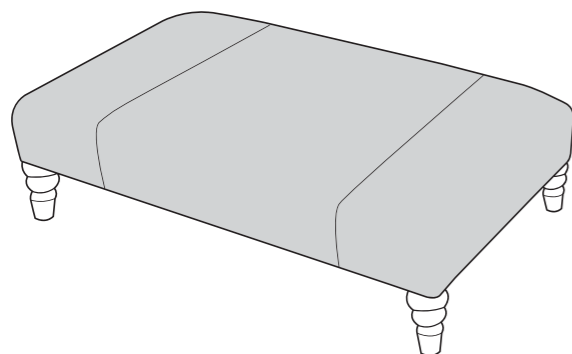


Arm Chair (1ST)

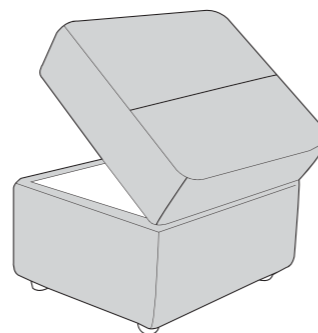


## SUGGESTED ACCENT PIECES

Beatrix Leather Footstool (FSS)



Leather Storage Footstool (FSS)



APPROVED MEMBER

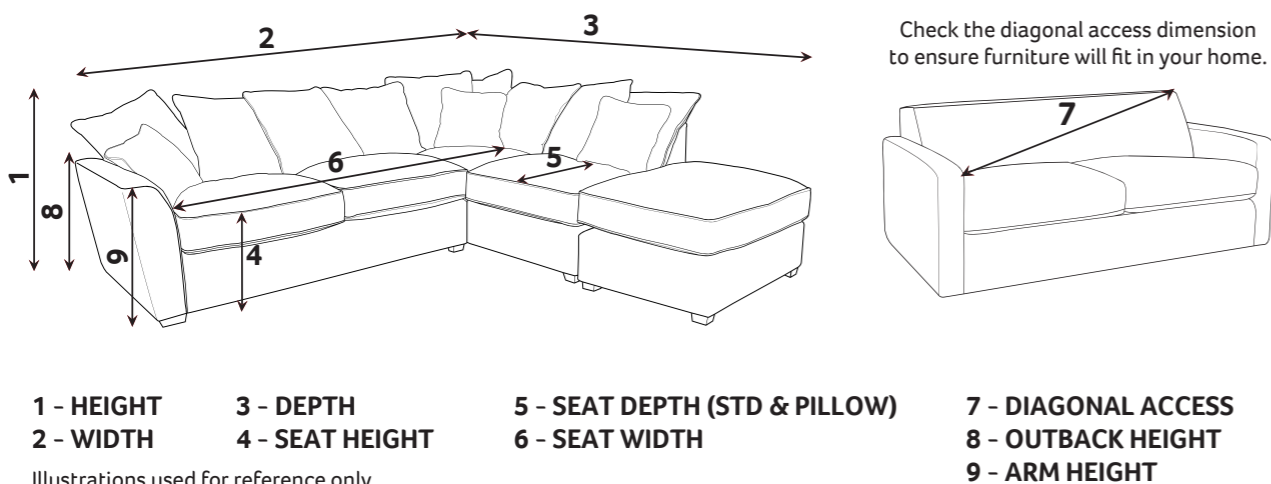


# BEATRIX LEATHER DIMENSIONS (CM)

AVAILABLE PIECES	HEIGHT 1	WIDTH 2	DEPTH 3	SEAT HEIGHT 4	SEAT DEPTH 5	SEAT WIDTH 6	ACCESS DIAGONAL 7	OUTBACK HEIGHT 8	ARM HEIGHT 9	WEIGHT (KG)
LH2/COR/RH2 CORNER GROUP	93	246	246	50	N/A	N/A	N/A	72	65	112
LH2/R2C CORNER GROUP or L2C/RH2 CORNER GROUP	93	246	176	50	N/A	N/A	N/A	72	65	91.5
LH2/RH2 UNIT	93	150	96	50	56	135	178	72	65	41.5
L2C/R2C UNIT	93	176	96	50	56	65	198	72	65	50
COR - CORNER UNIT	93	96	96	50	56	N/A	131	72	N/A	29
4 SEATER SOFA (4ST)	93	210	96	50	56	177	230	72	65	57
3 SEATER SOFA (3ST)	93	190	96	50	56	157	212	72	65	53
2 SEATER SOFA (2ST)	93	160	96	50	56	130	186	72	65	47
LOVE CHAIR (LOV)	93	119	96	50	56	88	N/A	72	65	39
ARM CHAIR (1ST)	93	89	96	50	56	59	130	72	65	35.5
<b>ACCENT PIECES</b>										
BEATRIX LEATHER FOOTSTOOL (FST)	31	106	65	N/A	N/A	N/A	124	N/A	N/A	14.5
LEATHER STORAGE FOOTSTOOL (FSS)	45	63	50	N/A	N/A	N/A	75	N/A	N/A	12.5

- \* Hardwood & composite board frame.
- \* Dowelled, screwed, glued & stapled joinery.
- \* Wood foot options: Choice of Antique, Beech or Lined Oak foot.
- \* Award winning foamflex seat interior with 5 year guarantee.
- \* Back Cushions secured with zips.
- \* Serpentine seat springs & silent wire.
- \* Superloop back springs.

## DIMENSION GUIDE

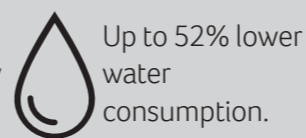
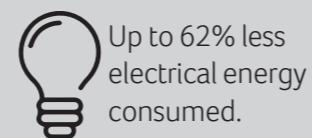


## THIS COLLECTION USES:



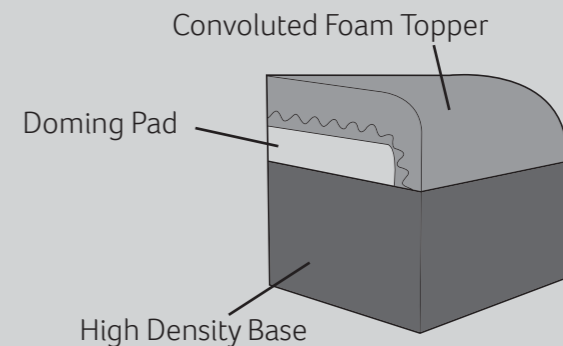
Kind Leather focus on creating truly sustainable leather, cutting down on wasted product and the use of harmful chemicals that can be damaging to the environment.

Some of the benefits of Kind Leather include:



## foamflex™

Our new expertly engineered foam seat interior gives you the comfort of fibre with the retention of foam.



## CARE GUIDE

To improve the longevity of your hand-made furniture, we recommend rotating cushions (where applicable).

For further information on maintaining your furniture, please refer to the Care Guide located under the seat platform.



Our foamflex seat interiors have been granted the FIRA GOLD Award, a mark of quality under-pinning all necessary testing of the product materials, design and production techniques.



**FOOT OPTIONS:**

FRONT CASTOR Antique / Chrome Beech / Chrome Antique / Brass Beech / Brass	FRONT TURNED Antique Lined Oak	BACK FEET Antique Beech Lined Oak

Please note : All dimension are approximate. Allow tolerance of +/- 2.5cm.  
Wood is a natural product and will vary in shade/colour from item to item. Feet may require fitting.

# LEATHER RANGE

We only use full leather for our collections; no splits apply.



## VERONA

Verona is a Pigmented leather made of top quality heavy-weight hides processed in Italy. The higher-thickness enhances the hand-feel and the visual opulence of the leather. Hides are machine-buffed to remove superficial characteristics before being coated with a pigment to ensure colour consistency. Following this, hides are embossed with an artificial grain to give a uniform appearance and further reduce any visible traces of natural markings. These additional treatments only increase the product's physical durability, reduce absorption from spills, and is a family-friendly option for those seeking to get the most out of leather's hard-wearing properties.



## NAPOLI

Napoli is a natural grain, Semi-Aniline leather made of high quality hides that have been processed in Italy. A special re-tanning process is applied to give the leather its rich hand feel. A contrasting roller effect has been applied to the surface of each hide to add visual character, before being treated with a protective finish to increase durability. A characterful and family-friendly leather.



## TURINO

Torino is lightly-buffed, two-tone natural grain Semi-Aniline leather made of top quality hides that have been processed in Italy. Hides are then finished with a pigment to increase top-coat durability, before a very subtle darker contrasting effect is applied to the tips of the grain to create a discreet two-tone affect. A family friendly leather with a wide appeal.



## CAPRI

Capri is a hand-buffed Aniline leather made of top quality hides that have been processed in Italy. This leather is a celebration of the rich history of each and every hide and the individual characteristics that make them unique. The hides are buffed by hand, piece by piece. Other than a light protective finish that has been applied to the grain in order to increase its physical performance, Capri's surface is completely natural and free from additional treatments so as to retain the natural look of the leather. Natural leather will be subject to shade variation between and even within upholstered panels, ensuring every piece of furniture is unique.



## LAZIO

Lazio is a hand-buffed Aniline leather made of top quality hides that have been processed in Italy. This leather is a celebration of the rich history of each and every hide and the individual characteristics that make them unique. The hides are buffed by hand, piece by piece. Other than a light protective finish that has been applied to the grain in order to increase its physical performance, Lazio's surface is completely natural and free from additional treatments so as to retain the natural look of the leather. Natural leather will be subject to shade variation between and even within upholstered panels, ensuring every piece of furniture is unique.

